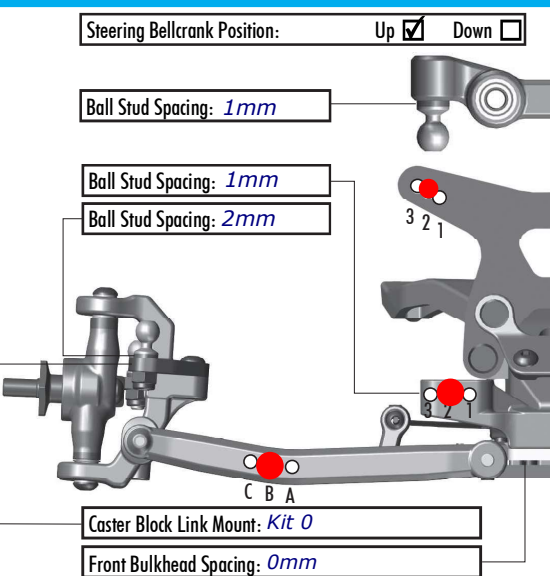
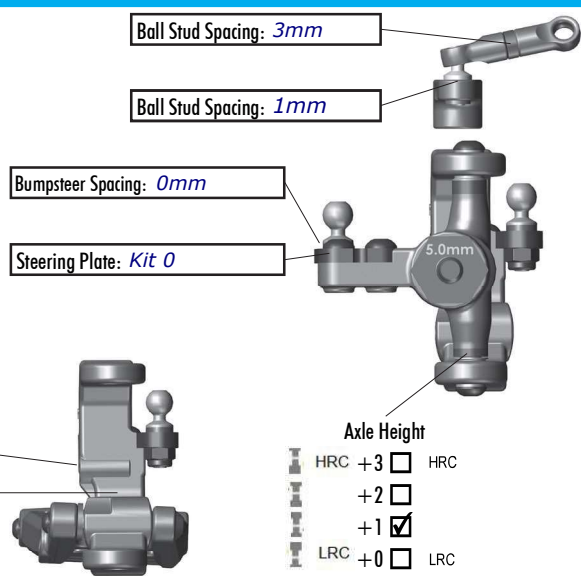


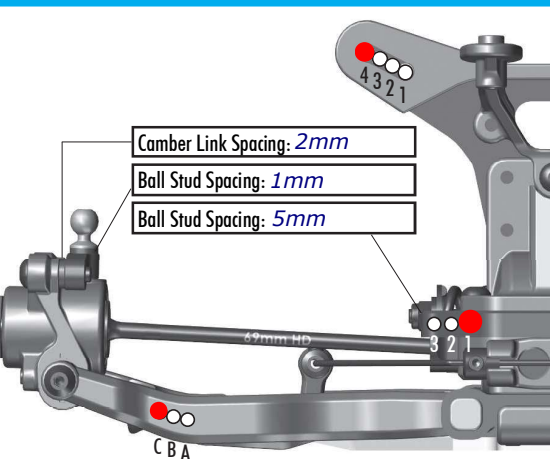
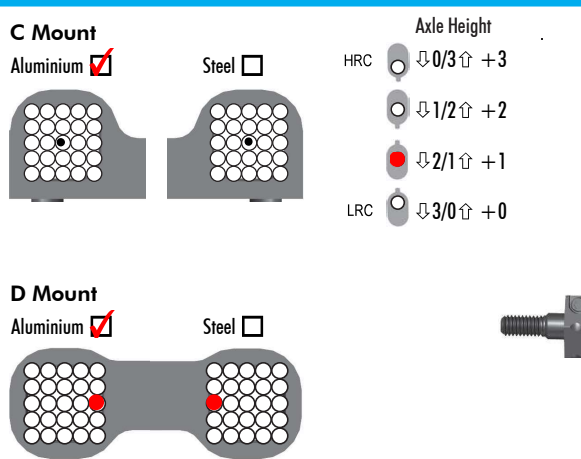
Front Suspension

Ride Height: <u>13mm</u>
Camber: <u>-1.5°</u>
Toe: <u>0.5° out</u>
Anti-Roll Bar: <u>1.0mm</u>
Arm Type: <u>FT Carbon Front Suspension Arms (AS92411)</u>
Tower Type: <u>Hall Brothers</u>
Wheel Hex: <u>5mm</u>
Steering Block KPI: <u>Kit -4 trail, KPI 2</u>
Caster Block Insert: <u>+5</u>
Bulkhead Type: <u>FT 0° kit alu Bulkhead (AS91987)</u>
Kick-Up Angle: <u>-2.5</u> <input type="checkbox"/> <u>0</u> <input checked="" type="checkbox"/> <u>2.5</u> <input type="checkbox"/>
Steering Stop Spacing: <u>N/A</u>
Caster Block Spacing: <u>Fwd</u> <input checked="" type="checkbox"/> <u>Back</u> <input type="checkbox"/>
<small>FT Alu Bellcranks (AS91983) FT Alu Steering Rack (AS91984)</small>



Rear Suspension

Ride Height: <u>13mm</u>
Camber: <u>-1.5°</u>
Anti-Roll Bar: <u>1.3mm</u>
Arm Type: <u>FT Carbon Front Suspension Arms (AS92411)</u>
Tower Type: <u>Hall Brothers</u>
Arm Spacing: <u>Fwd</u> <input type="checkbox"/> <u>Mid</u> <input checked="" type="checkbox"/> <u>Back</u> <input type="checkbox"/>
Wheel Hex: <u>6mm</u>
Hub Type: <u>Std</u> <input type="checkbox"/> <u>HRC</u> <input checked="" type="checkbox"/>
Hub Spacing: <u>Fwd</u> <input checked="" type="checkbox"/> <u>Mid</u> <input type="checkbox"/> <u>Back</u> <input type="checkbox"/>
Drive Shaft: <u>CVA's</u> <input checked="" type="checkbox"/> <u>Universal</u> <input type="checkbox"/>
<small>Notes: FT Carbon Rear Hubs (AS92413) Centro 0-4Deg C Block (C0255)</small>



Electronics

Radio: <u>M17</u>	Servo: <u>Reedy</u>
EPA (%) - Throttle: <u>100%</u>	Brake: <u>95%</u>
ESC: <u>HW XR10 Pro G2S</u>	
ESC Settings: <u>20 Turbo</u>	
Motor / Wind: <u>Reedy Mach4 5.5t</u>	Timing: <u>Std</u>
Pinion: <u>22t</u>	Spur: <u>78t</u>
Battery Mount: <u>Std</u> <input checked="" type="checkbox"/> <u>Offset</u> <input type="checkbox"/>	
Back 1 <input type="checkbox"/> 2 <input type="checkbox"/> 3 <input type="checkbox"/> 4 <input checked="" type="checkbox"/> 5 <input type="checkbox"/> Fwd	
Battery: <u>Reedy 4800 LP</u> Weight: <u>20g under battery</u>	
<small>Notes: FT Alu Servo Horn (AS1366)</small>	

Drivetrain

Differential Ball <input type="checkbox"/> Gear <input checked="" type="checkbox"/>
Height: <u>3</u>
Setting: <u>4 gear LTC 60K</u>
Notes:
Slipper Clutch
Type: <u>Kit</u>
of Pads: <u>2 FT LCF SLIPPER PAD 11mm (AS92285)</u>
Setting: <u>Just lifts front</u>
Notes:

Shocks

	Front	Rear
Piston:	<u>2*1.7</u>	<u>2*1.8</u>
Thickness:	<u>2.0mm</u>	<u>2.0mm</u>
Fluid:	<u>40w</u>	<u>35w</u>
Spring:	<u>12mm Red</u>	<u>12mm Yellow / Schu Hi Freq Black</u>
Limiters:	In: <u>0</u> Out: <u>0</u>	In: <u>0</u> Out: <u>0</u>
Stroke:	<u>21mm</u>	<u>28mm</u>
Eyelet:	<u>0</u>	<u>0</u>
Cup Offset:	<u>0</u> <input type="checkbox"/> <u>+5</u> <input checked="" type="checkbox"/> <u>+9</u> <input type="checkbox"/>	<u>0</u> <input checked="" type="checkbox"/> <u>+5</u> <input type="checkbox"/> <u>+9</u> <input type="checkbox"/>
Kashima Bodies <input checked="" type="checkbox"/> Chrome Shafts <input checked="" type="checkbox"/> Machined Spacers <input checked="" type="checkbox"/>		
<small>Notes: 12mm Spring cups (AS91814), Chrome shafts (AS91616, AS91620), Machined internals (AS91494). Shorter 21mm front shafts due to lower front tower</small>		

Track Information

Size: <u>Med - Large</u>
Composition: <u>Warn EOS Carpet</u>
Traction: <u>High</u>
Moisture: <u>N/A</u>
Surface: <u>Bumpy</u> <input type="checkbox"/> <u>Smooth</u> <input checked="" type="checkbox"/> <input type="checkbox"/>
Temperature: <u>16deg</u>
<small>Notes:</small> <u>Various Jumps etc</u>

Tires

Front Tires: <u>Sch Splinter</u>
Front Compound: <u>Yellow</u>
Front Insert: <u>None</u>
Rear Tires: <u>Sch Azami</u>
Rear Compound: <u>Yellow</u>
Rear Insert: <u>Cragg</u>
Wheel (F/R): <u>Centro C0260W / Centro C0262W</u>
Notes:

Body, Weight

Body: <u>Kit</u>
Front Wing: <u>Kit</u>
Rear Wing: <u>Kit</u>
Wing Angle: <u>0°</u> <input type="checkbox"/> <u>3°</u> <input checked="" type="checkbox"/> <u>6°</u> <input type="checkbox"/>
Chassis Length: <u>Kit</u>
Servo Weights: <u>20G in front of servo</u>
Electronics Weights: <u>Steel</u>
Total Vehicle Weight:

Vehicle Comments

Notes:
 FT Carbon Side Rails (AS92402)
 FT Carbon Top Plate & Ballstud Mount (AS92404)
 FT Carbon Caster/Steering Blocks (AS92415)
 Carbon Wing Buttons (AS91916, AS91917)
 Centro 0-4Deg C Block (C0255)
 Centro Fan on motor (C0651BK)